

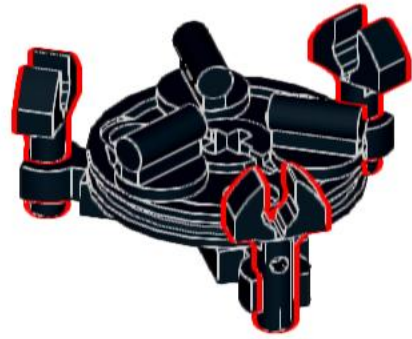
Primary Mirror Segments

v2: uses part 892 (not 65676)

1



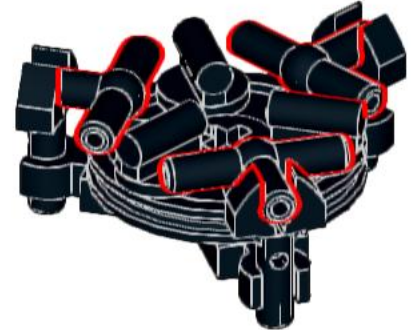
4



2



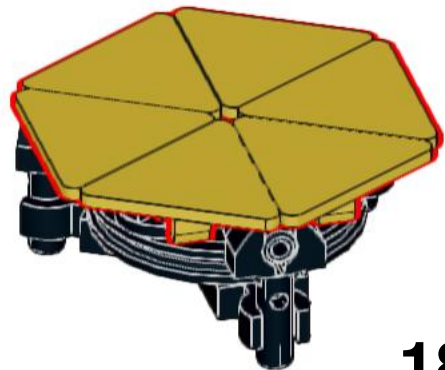
5



3



6



18x