

**Primary Mirror Segments**  
v1: uses part 892 or 65676, requires modification

1



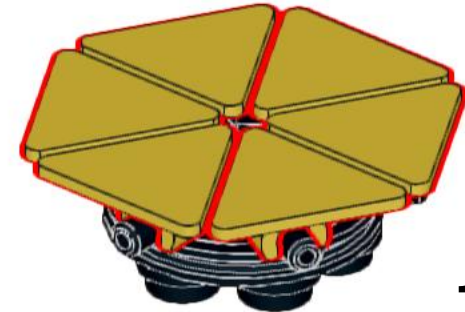
4



2



5



18x

3

